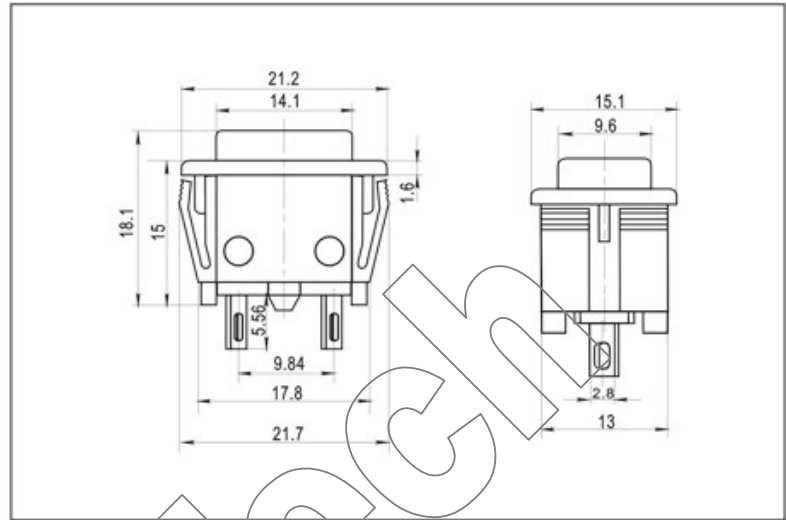


Push Switch (PSL-4 Series)




SPECIFICATIONS

10 (4) A 250VAC T120/55
 5 (2) A 250VAC 5E4
 6A 125/250VAC T85 1/4HP 250VAC
ROHS Compliance

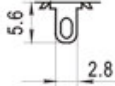
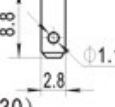


EXPLANATION MODEL NUMBER

PSL - 4 - A - BK/BK - P26

Cap Type	
A	FLAT
W	

Color Cap/Housing	
BK	Black
WT	White

Terminal	
	5.6 2.8
(P26)	
	8.8 2.8 φ1.1
(P30)	